

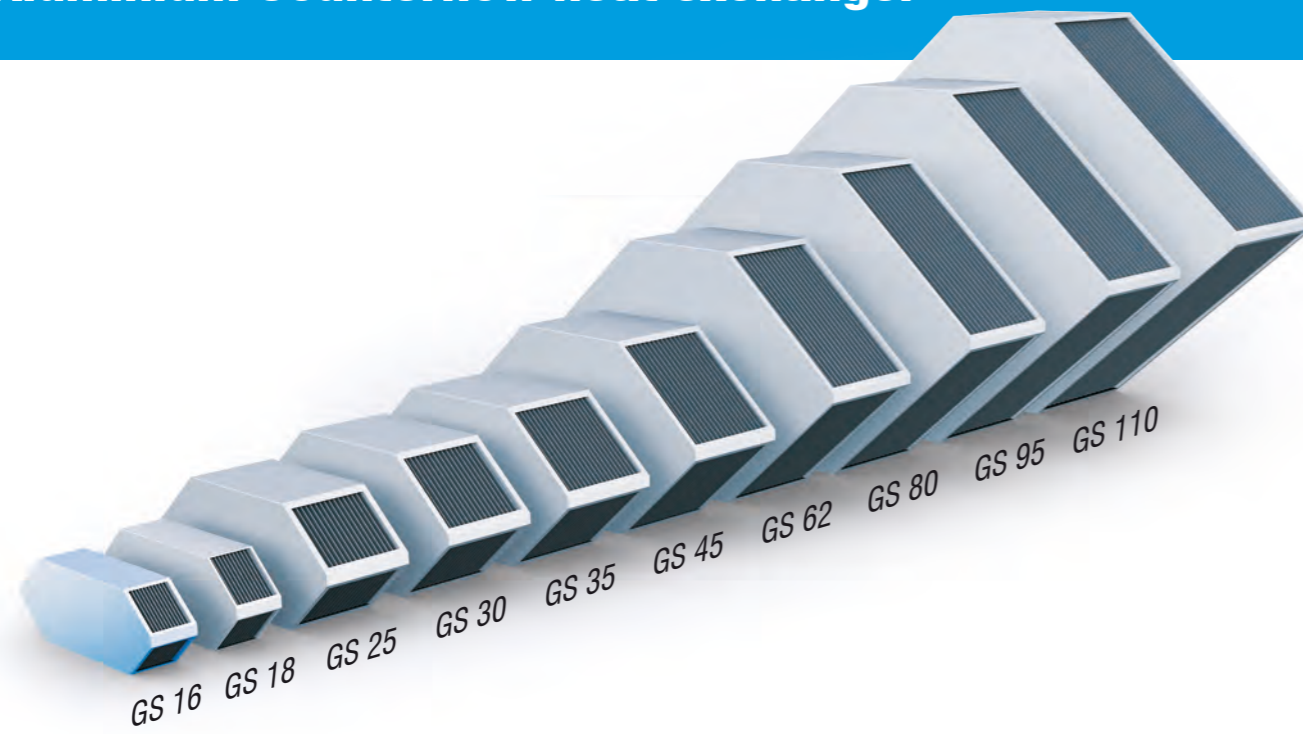


Counterflow-Plate Heat Exchanger Type GS

High efficiency – in Aluminium, PET or with Epoxy coating



GS Aluminium Counterflow heat exchanger

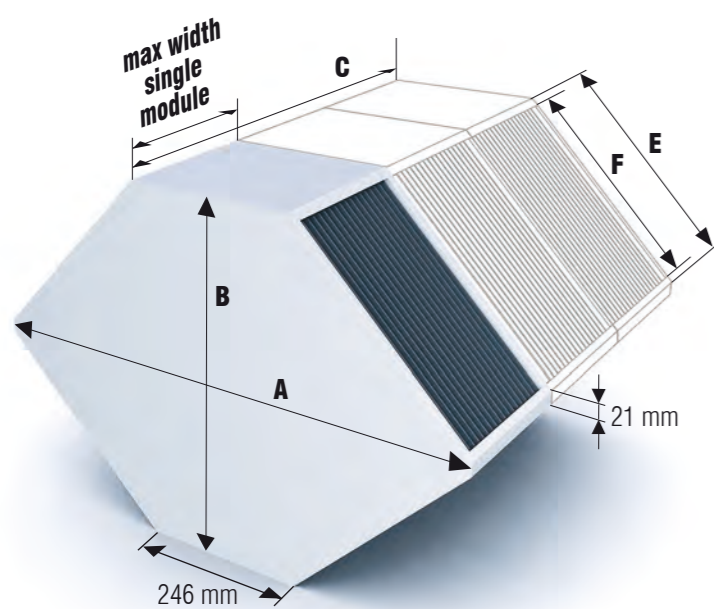


Klingenburg Aluminium Counterflow Heat Exchanger

With already ten sizes, we offer the largest range of Counterflow Plate Heat Exchangers on the market. In between the smallest model **GS 16** from 20 m³/h

(with a unit width of 100 mm), and the biggest model **GS 110** up to 2000 m³/h (with a unit width of 500 mm) all requirements of the international markets can be met.

Dimensions



Type	A [mm]	B [mm]	max width single module [mm]	C [mm]	E [mm]	F [mm]	max pressure loss [Pa]
GS 16	380	155	430	individual	95	81	120
GS 18	397	172	430	individual	107	93	120
GS 25	454	230	750	individual	148	134	120
GS 30	496	271	710	individual	177	163	130
GS 35	537	312	800	individual	206	193	145
GS 45	619	394	720	individual	264	249	150
GS 62	758	534	700	individual	362	347	170
GS 80	899	674	600	individual	462	447	200
GS 95	1040	815	600	individual	562	547	260
GS 110	1182	959	600	individual	662	648	280

Technical changes possible

Because of well known advantages, the Exchangers were made of seawater resistant aluminium right from the start. For an even higher degree of corrosion protection alternatively all GS models are also available with epoxy coating.

Tightness, hygiene, form stability and **long product life circles** are the main principles behind the development of the Klingenburg Counterflow Heat Exchangers. As the requirements and challenges of the Heat

Exchanger increases with the air volume, the plates of the GS 80,

the GS 95 and of the big brother GS 110 are equipped

with a double folded edge on the supply and return face side which results in five times the material thickness at the folded edge.

■ The double folding principle of the larger sizes, ensures stability and strength

This ensures strength, reliability and trust

Klingenburg Products set repeatedly new standards in the market. With our in-house machine technology and development department you can be assured that we work for your flexibility, today and tomorrow. Profit from new technology which becomes an essential part of your Air conditioning unit.

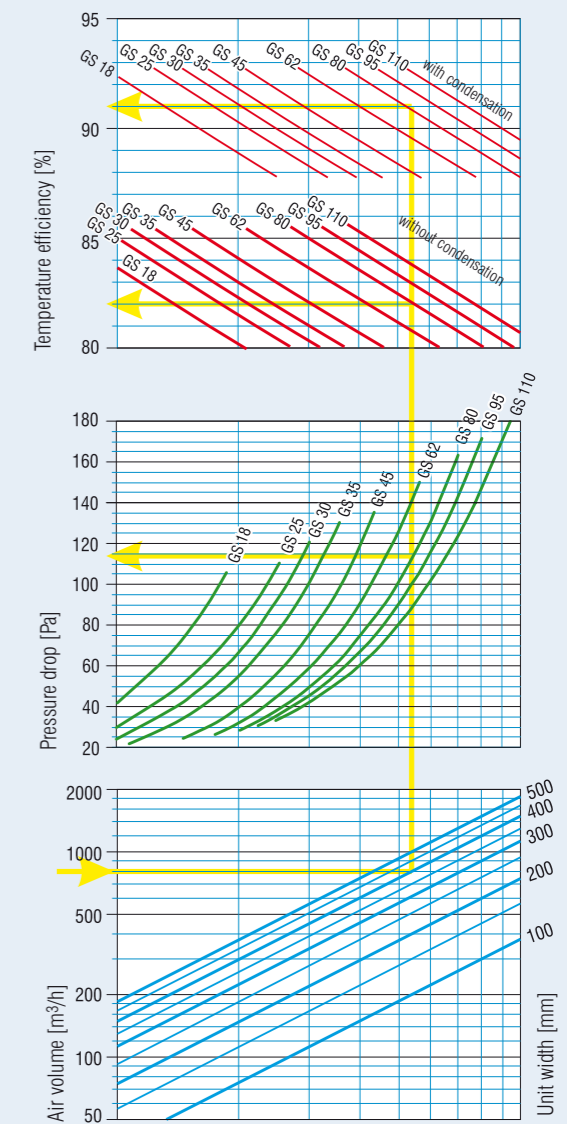
The high efficiencies of the GS exchanger have been confirmed with many tests. Leading air conditioning manufacturers have certified their units using our GS exchanger.

Compatibility

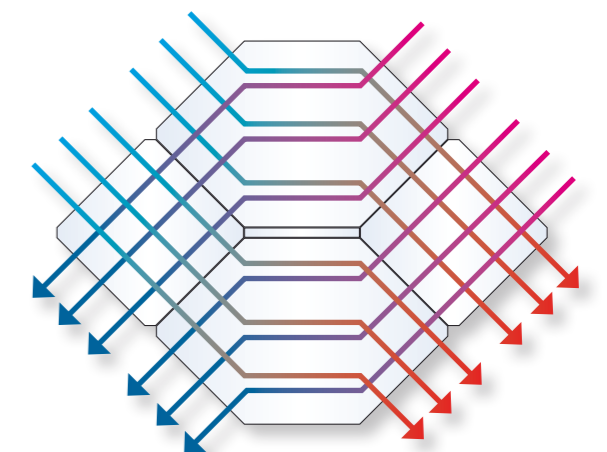
The GS range of exchangers are compatible with the standard crossflow exchangers. These combi-exchangers are used when the application needs higher air volumes.

With this combination, the volume flow rate can be doubled with the same installation depth.

Layout diagram



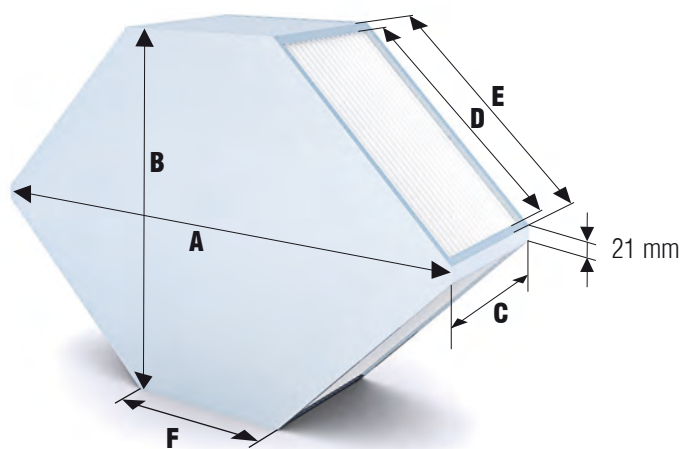
■ This diagram applies to supply and exhaust air mass flows equal



■ Principle of combi-exchangers

GS - K Plastic Counterflow-Plate Heat Exchanger

DATA GS-K



Klingenburg Plastic Counterflow-Plate Heat Exchanger

■ Available in 6 sizes:

- GS-K 18
- GS-K 25
- GS-K 30
- GS-K 35
- GS-K 45
- GS-K 366

variable package width (c) available according to customer specifications.

■ Casing sheets aluminium

■ Plate material PET

- Operation conditions -20°C up to +70°C
- Appropriate for food contact
- Hygienically tested and microbial inert according DIN EN ISO 846

■ Latest welding technology grant highest tightness of the plates

■ Sealing material hygienically tested and microbial inert according DIN EN ISO 846

■ Fire classification B2 according DIN 4102 T1 by DMT

Dimensions						
Type	A [mm]	B [mm]	C [mm]	D [mm]	E [mm]	F [mm]
GS-K 18	397	172	individual	93	108	246
GS-K 25	454	230	individual	134	148	246
GS-K 30	496	271	individual	163	177	246
GS-K 35	537	312	individual	193	206	246
GS-K 45	619	394	individual	249	264	246
GS-K 366	366	366	individual	178	194	194

Technical changes possible